



SUMMER VENTILATION 

NORDIK® ECO RANGE

Reversible ceiling fans

NEW



NORDIK® ECO RANGE

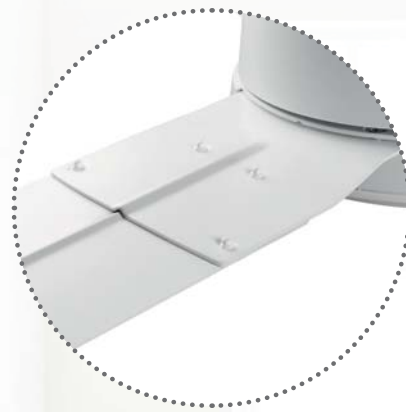
Reversible ceiling fans

NORDIK ECO range are reversible ceiling fans for residential and commercial applications. EC (brushless) motors, ensuring low energy consumption (less than half fan traditional AC with equivalent rated power), and allowing fine speed adjustment, so that the delivered performance can be adapted more effectively and efficiently to the specific needs.

- Modern and distinctive design, with simple and contemporary styling inspired by the Nordic look.
- 6 different product sizes, corresponding to 6 nominal diameters: 900 mm, 1200 mm, 1400 mm, 1600 mm, 1800 mm, and 2000 mm.
- EC brushless motors incorporating drivers compatible with 0-10 V control.
- CW and CCW operating available (reversible function).
- Potentiometer POT-R for all models of the range and compatible with wall and flush (DIN standard box) installation allowing ON/OFF, fine speed tuning and rotation direction setting.

BLADES

For additional mechanical strength and durability over time, the blades of 180/70" and 200/80" versions are reinforced at the point of attachment to the motor.



POT R

Speed control system enabling fine adjustment, the performance delivered by the fan can be adapted to suit the desired ambient conditions.



TELENORDIK ECO
Infrared remote controll.





MOTOR CUPS AND COVERS

Motor cups and covers made moulded from heat-resistant plastic resin, white colour.



The hanger consists of a special plate with 4 holes for tight and durable fastening, which can also be used to suspend the appliance from sloping ceilings.



EC MOTORS

EC (brushless) motor with shaft turning in ball bearings, capable of delivering high efficiency across the entire operating range. Built in motor driver.

POWDER COATED STEEL

Blades and ceiling rod made steel sheet, white colour painted.



NORDIK® ECO RANGE

Reversible ceiling fans

KEY FEATURES

- Low power consumption, compared to traditional products equipped with AC motors.
- Minimal maintenance requirements and top reliability over time.
- High performance; thanks to the particular design of the blades, fans of the NORDIK ECO range are able to displace large airflows, varying in volume according to the model size.
- Facility of inverting the direction of rotation of the blades (Reversibility function), to direct the flow of air in the direction most suitable for the needs of the moment, thereby accentuating the “refresh” effect as and when appropriate, and avoiding the discomfort that can be caused by direct draughts.
- Installation possible even on ceilings and/or roof beams set at steep angles.
- Electronic controlgear of modular design, allowing the addition of further connectivity and control modules.
- Easy installation of the appliance.



TECHNICAL DATA

MODELS	CODE	COLOUR	V	Hz	W	A	RPM	Blades	Max airflow m ³ /h
NORDIK ECO 90/36"	61060	White	220-240	50	27	0,26	250	3	9500
NORDIK ECO 120/48"	61061				30	0,29	235		14100
NORDIK ECO 140/56"	61062				30	0,29	235		16500
NORDIK ECO 160/60"	61063				30	0,29	210		17200
NORDIK ECO 180/70"	61064				40	0,37	205		21000
NORDIK ECO 200/80"	61065				40	0,37	200		22500

TECHNICAL DATA FOR REGULATION N° 206/2012 UE

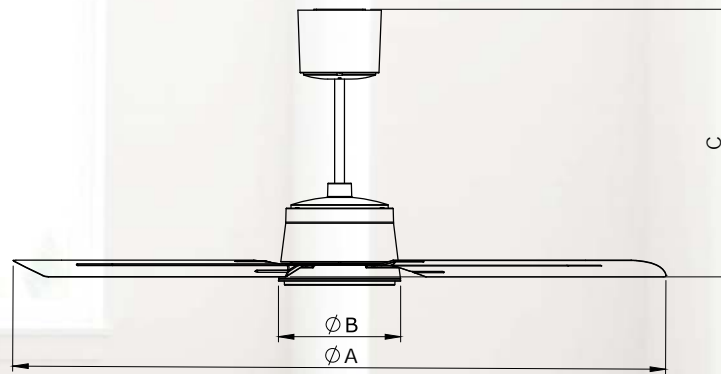
	SYMBOL	UNIT	NORDIK ECO 90/36"	NORDIK ECO 120/48"	NORDIK ECO 140/56"	NORDIK ECO 160/60"	NORDIK ECO 180/70"	NORDIK ECO 200/80"
CODE			61060	61061	61062	61063	61064	61065
Maximun fan air flow	F	m ³ /min	158,33	234,17	275	286,67	350	375
Fanpower input	P	W	27	30	30	30	40	40
Service value	SV	(m ³ /min)W	5,864	7,833	9,167	9,556	8,750	9,375
Standby power consumption	PSB	kW	0,38	0,38	0,38	0,38	0,38	0,38
Fan sound power level	LWA	dB(A)	45,6	52,1	53,9	54,2	56,9	57,8
Maximum air velocity	C	m/sec	2,88	2,41	2,07	1,65	1,59	1,38

Measurement standard for service value

IEC 60879; EN62301 : UNI EN ISO 3741

For more information refer to: Vortice Elettrosociali Spa, Strada Cerca, 2 - 20067 Zoate di Tribiano (MI) Italia

DIMENSIONS



MODELS	CODE	A	B	C
NORDIK ECO 90/36"	61060	914	237	535
NORDIK ECO 120/48"	61061	1218	237	535
NORDIK ECO 140/56"	61062	1422	237	535
NORDIK ECO 160/60"	61063	1524	237	535
NORDIK ECO 180/70"	61064	1800	237	535
NORDIK ECO 200/80"	61065	2000	237	535

Dimensions (mm)



NORDIK[®] ECO RANGE

Reversible ceiling fans

ACCESSORIES

	CODE	NAME	DESCRIPTION	PRODUCT
	21150	NKE ROD 160	Ceiling rods - Various lengths to enable installation at desired heightw	All products
	21151	NKE ROD 290		All products
	21154	NKE ROD 665		All products
	21155	NKE ROD 915		All products
	21162	NKE BLK 900	Kit spare blades	61060
	21163	NKE BLK 1200		61061
	21164	NKE BLK 1400		61062
	21165	NKE BLK 1600		61063
	21166	NKE BLK 1800		61064
	21167	NKE BLK 2000		61065
	12829	POT R	Potentiometer - for external setting of controllers with 0-10 V	All products
	21200	TELENORDIK ECO	Infrared remote control	All products



Predstavništvo za Srbiju
AIRTREND Ltd.
Kumanovska 14
11000 Beograd, Srbija
Telefon +381 (0)11 383 6886, 308 5740
Telefax +381 (0)11 344 4113
E-mail gobrid@eunet.rs
www.airtrend.rs

Distribucija i prodaja
KOVENT
Kumanovska 14
Tel: 011 383 6886, 308 5740
Fax: 011 344 4113
E-mail office@kovent.rs
www.kovent.rs

